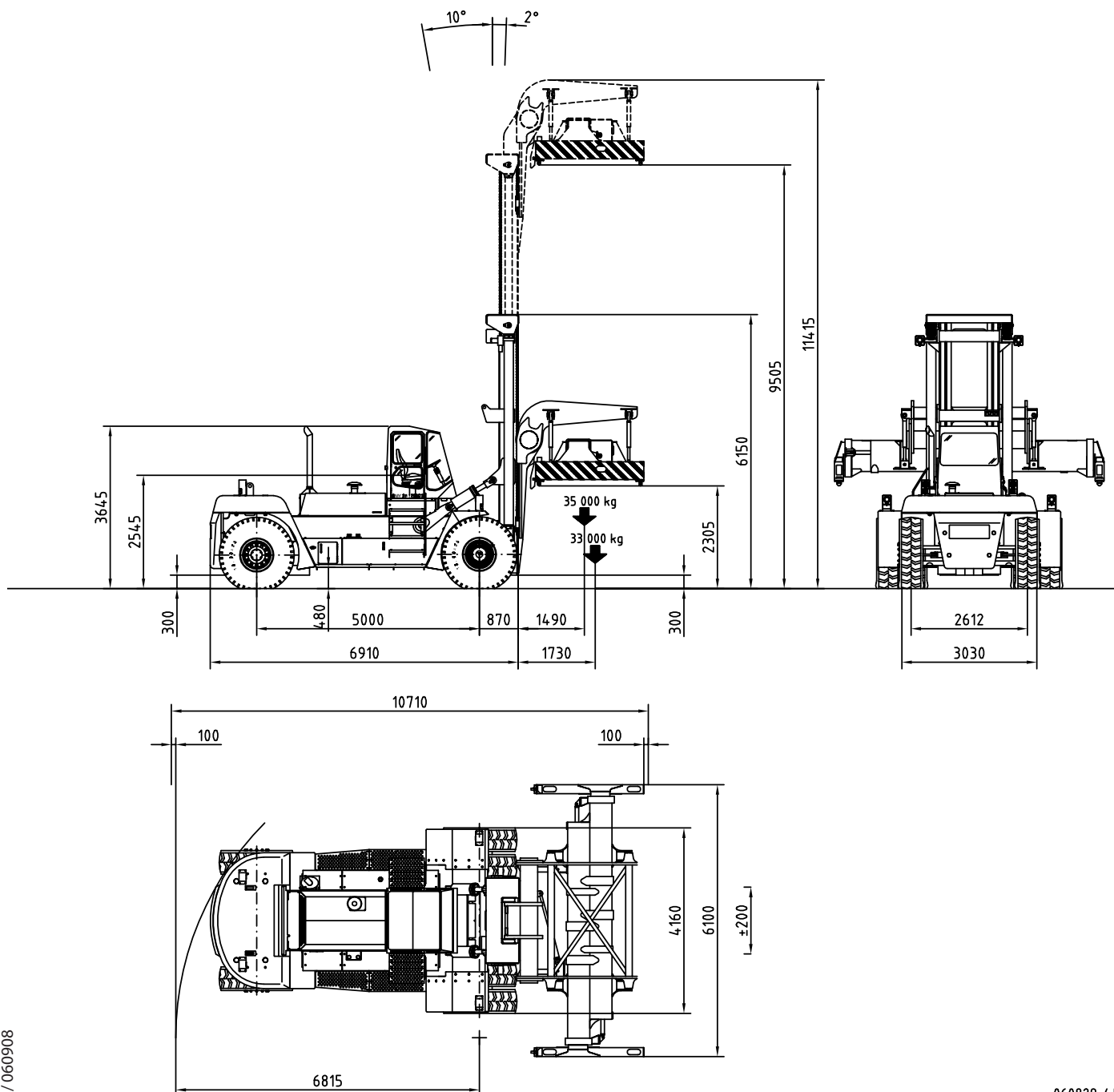


## TECHNICAL DATA

<b>Lifting data</b> Lift capacity / min-max load center (max lift height) Lift speed, unloaded / at rated load Lowering speed, unloaded / at rated load	kg m / s m / s	35000 - 33000 0,26 / 0,21 0,40 / 0,40
<b>Speeds</b> Speed forward, unloaded / at rated load Speed reverse, unloaded / at rated load Incline, driving ability / at rated load at 0 km h / 2 km h Towing ability at rated load at 0 km h / 2 km h	km / h km / h % kN	24 / 22 24 / 22 29 / 22 314 / 251
<b>Service weight / Axle pressure</b> Service weight Axle pressure front, unloaded / at rated load Axle pressure rear, unloaded / at rated load	kg kg kg	60500 38100 / 89600 22400 / 5900
<b>Engine (electronically controlled)</b> Make / type designation (EU Stage II certified) Fuel / type of engine Power ISO 3046 / at speed Torque ISO 3046 / at speed Displacement / No. of cylinder Alternator, type / power Starting battery, voltage / capacity Fuel consumption, normal driving	kW(hp)/rpm Nm / rpm W V / Ah L / h	*Scania DI-12-54A Diesel / 4 - stroke 243 (330) / 2100 1589 / 1400 12,0 / 6 AC / 1820 / 65 2 x 12 / 140 13 - 15
*EU stage III requires Scania DC 12 58A (257 kW, 350 hp@ 2100 rpm, 1544/1200 Nm/rpm)		
<b>Automatic Transmission (electronic controlled gear shift)</b> Gearbox, make / type designation Clutch, type Gearbox, type No. of gears, forward / reverse Drive axle, type		DANA TE-27000 Torque converter Powershift 4 / 4 Axletech PRC-7534-W4H
<b>Wheels</b> No. of wheels, front / rear Wheel dimensions, front / ply Wheel dimensions, rear / ply Pressure front and rear	In / PR In / PR MPa	4 / 2 18.00 x 25" / PR 36 18.00 x 25" / PR 36 0,9
<b>Steering and brake system</b> Steering system Driving brake system, type / affected wheels Parking brake system, type / affected wheels		Servo assisted Wet disc brakes / Drive wheels Spring brake / Drive wheels
<b>Volumes</b> Fuel, net Hydraulic system	L L	385 420
<b>Hydraulic oil pressure</b> Noise level DIN 45635 (LM inside cab)	MPa dB(A)	20,8 72

# SMV 37 G3

# KONECRANES®



SMV 37 G3 / ENG / 060908

060829 / 5

Konecranes Liftrucks reserves the right to alter design and material specification without prior notice.

## KONECRANES LIFTTRUCKS AB

Box 103  
SE-285 23 Markaryd  
SWEDEN

Visitors address  
Anders Anderssons väg 13

Phone +46 433 73 300  
Fax +46 433 73 310

[www.smvliftrucks.se](http://www.smvliftrucks.se)

E-mail  
[info@smvliftrucks.se](mailto:info@smvliftrucks.se)